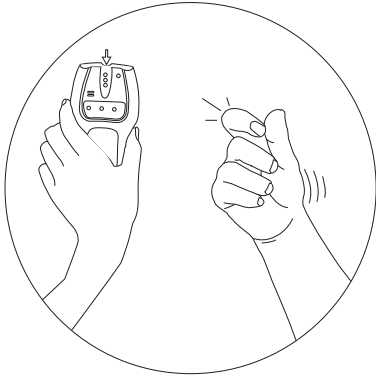


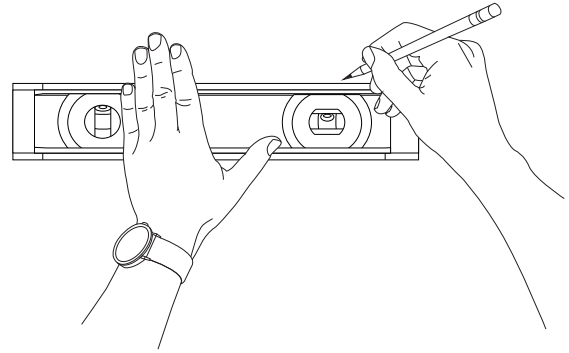
# IMPORTANT: Please Read Reverse Before Proceeding

1



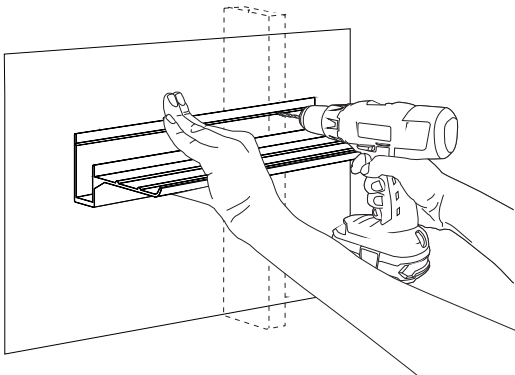
Locate studs

2



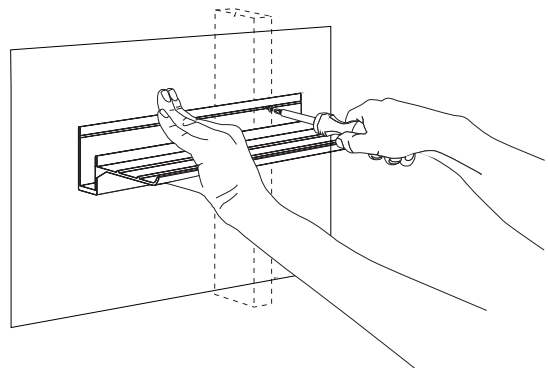
Draw reference line for the bottom of the board

3



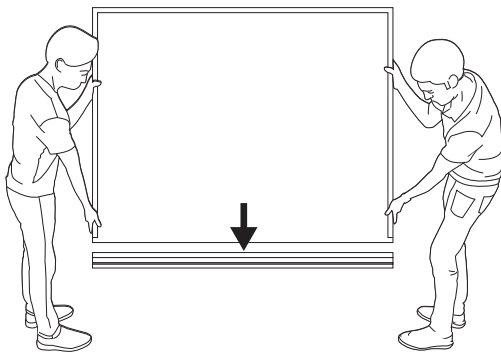
Drill pilot holes through tray & stud

4



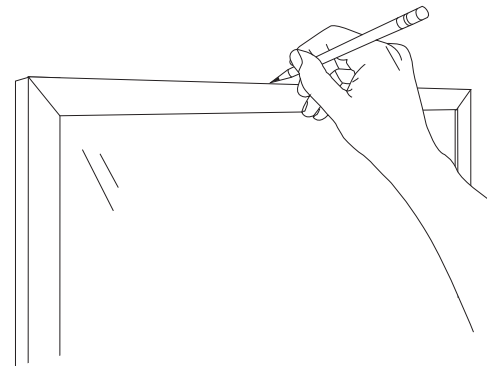
Screw in (long) self-tapping screws

5



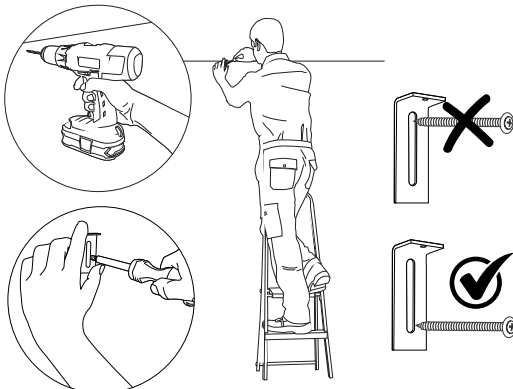
Slide board into tray

6



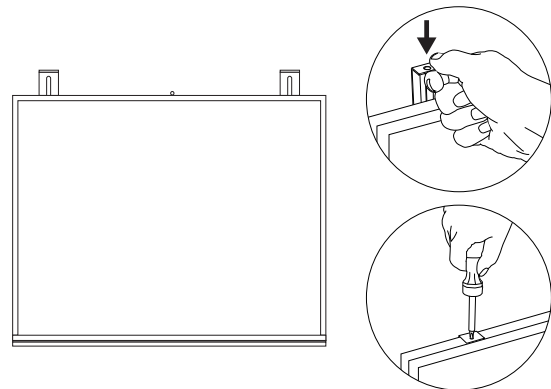
Mark top of board and remove

7



Mount top L-brackets using (long) screws

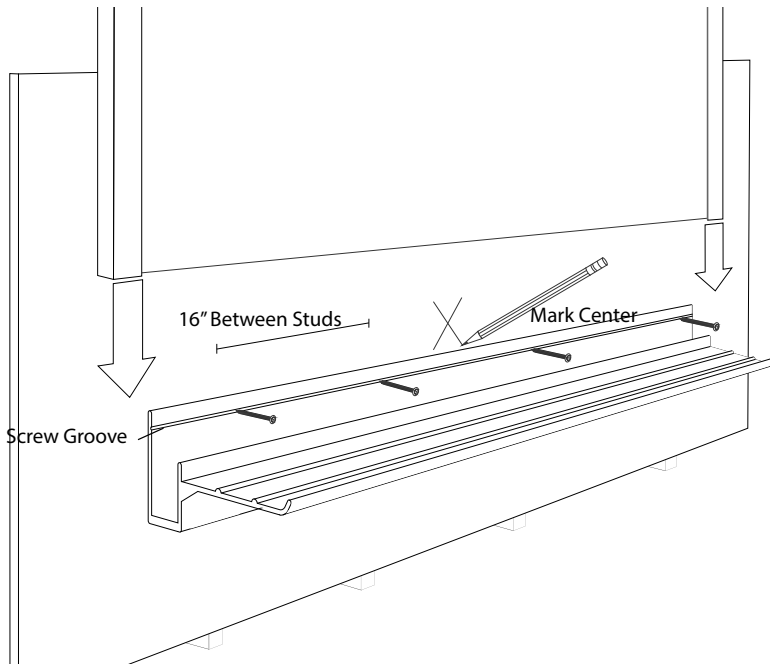
8



Reposition board, screw in (small) self-tapping screws

# Please read and understand all instructions before proceeding

If you have questions call us at 1-866-366-1500



## Tools Required:

- Level
- Measuring tape
- Stud finder
- Power drill
- Phillips head screwdriver
- Drill
- 1/8" drill bit (optional)
- Drill extension

## Included Parts:

- L-brackets
- Self-tapping screws for L-brackets (small)
- Self-tapping screws for tray (long)
- Wall Anchors

## Important Tips:

- Walls must be flat and dry. Moisture may cause whiteboards to warp and void warranty.
- Ensure wall is structurally sound and able to support weight of the board.
- We recommend using a quick dry construction adhesive for best results. Place a 2" dab every 2-4 feet on the back of the board.
- Included hardware will accommodate most install conditions. It is the customer's responsibility to determine appropriate hardware and provide alternative or additional hardware if necessary.

## Installation:

### Step 1

Find and mark locations of studs. Mark left and right edge of each stud to ensure screws mount at the center.

### Step 2

Using a level, measure and mark a reference line where the bottom edge of the board will sit. Mark the horizontal center point of the board as well for reference.

### Step 3

Mount tray to wall. Center the tray using the center point marked in previous step. Screw in self-tapping screws using a power drill (or pre-drill using a 1/8th inch drill bit) to ensure screws are as flush as possible.

### Step 4

If you chose to pre-drill holes in Step 3, screw in (long) self-tapping screws to mount the tray.

### Step 5

Slide board down into the tray channel. Check fit and position.

### Step 6

Hold tray steady and mark a reference line at the top of the board. Remove the board and set aside.

### Step 7

Mount the provided L-brackets. The top of the L-bracket should be aligned with the reference line in the previous step. Screw brackets into trim.

**Important:** when screwing in L-brackets, please ensure the screw is 1" under the reference line (see diagram on reverse). This will ensure the bracket will slide up to provide clearance to reposition the board.

### Step 8

Reposition the board back into the tray. Tap brackets down so they are resting against the trim. Attach using the provided (small) self-tapping screws.

**Note:** you may require a drill extension to avoid scuffing the wall as screws are drilled into L-brackets.



**Scan For  
Installation  
Instructions  
Or Visit Us Here:**

[OptiMAcompanies.com/installation-instructions](https://OptiMAcompanies.com/installation-instructions)

## Need Help?

Give us a call: 1-866-366-1500  
(8am - 6pm EST, M - F)