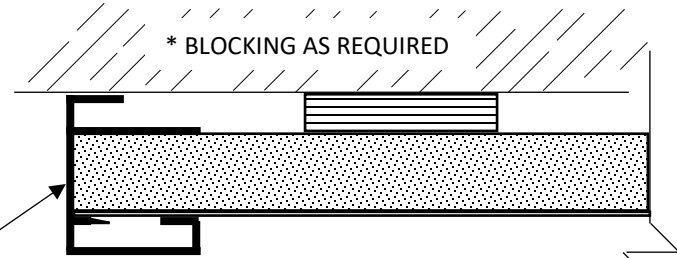


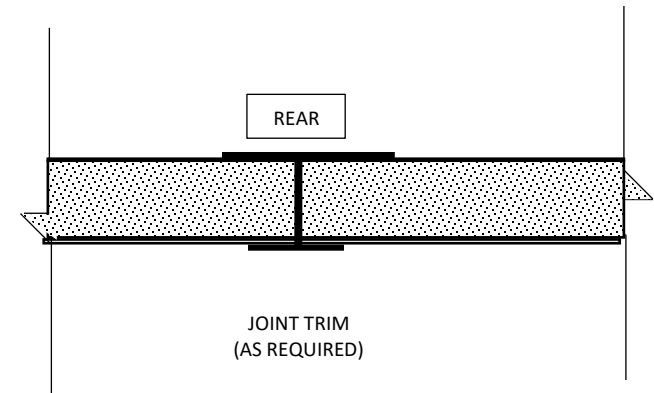
1-1/4" JAMB TRIM

* BLOCKING AS REQUIRED



TOP SECTION VIEW

NOT TO SCALE



BURLAP TACKBOARD
SERIES 308

PROJECT: ----		JOB #: ---	
DATE: --/--/----	DRAWN BY: WDS	SCALE: -	
SUBMITTED FOR: --			
MANUFACTURED BY: OPTIMA COMPANIES 220 CHERRY STREET SHREWSBURY, MA 01545			
THIS DRAWING IS PROPRIETARY TO OPTIMA COMPANIES AND IS FURNISHED SUBJECT TO AN EXPRESSED AGREEMENT NOT TO USE OR DISCLOSE DIRECTLY OR INDIRECTLY, FOR PUBLIC PURPOSE. THIS LEGEND SHALL BE MARKED UPON ANY REPRODUCTION IN WHOLE OR IN PART HEREOF.		SHEET -	OF -